



Com

H

Com is a model characterized by lightness, durability and multifunctionality. With the refined geometry of the seat shell, it is also very comfortable. This chair designed by Paul Brooks is perfect for auditoriums, meeting rooms and canteens.

Collection features:

- five types of bases allow any configuration
- the collection is completed with a barstool on a metal wire frame
- the square shape of the shell has four finishing options: plywood, with upholstered seat pad, with seat and backrest pad or fully upholstered
- the shell can come in different finishes: lacquered plywood, lined with natural veneer or HPL laminate which is scratch resistant

Technical specifications:

product version:

- K12H - 4-legged, plywood shell
- K22H - 4-legged, plywood shell, seat upholstered pad
- K32H - 4-legged, plywood shell, seat and backrest, upholstered pads
- K42H - 4-legged, fully upholstered

frame:

H - 4-legged (H) – metal frame, fi 16 mm

2P

Frame colour:

- MetallicPro
- Chrome
- Black / RAL 9005
- White / RAL 9016
- Light Grey / NCS S 2500 N
- Grey / NCS S 6500 N
- Deep Green / RAL 6004
- Navy Blue / RAL 5003
- Burgundy / RAL 3005

- Salvia/Green / RAL 6021
- Blue / RAL 5014
- Terracota / RAL 3012

table top

Com H 2P and V 2P may occur with table top (2PB). Folded table top (always black composite (HPL)), assembled on the right side, equipped with anti-panic system which prevents blocking the table top in case of sudden movement.

armrests

Standard – plastic pad (ABS), always black

Option – plywood pad

In Com K4 (fully upholstered) plywood pad finishing:

Stained beech

- H6
- H12
- H5

Colors in natural veneers

- NA (ash),
- NB (beech),
- NO (oak),
- NW (walnut)

Colors in natural colored veneers (ash)

- CNA01 (white),
- CNA02 (black),
- CNA05 (dark green),
- CNA06 (navy blue),
- CNA07 (burgundy)

Colors of HPL

- LW01 (white),
- LW03 (Light Grey NCS S 2500–N),
- LW04 (Grey - RAL 7037),
- LW02 (black),
- LW06 (navy blue),
- LW07 (light burgundy)

shell

Made of beech plywood; cut foam - density 35 kg/m³.

Colours of plywood:

Standard:

colours of lacquer - H5, H6, H7, H8, H11, H12

Option:

laminates HPL (LW): LW01 (white), LW02 (black), LW04 (grey)

natural veneers (HM): HM10 (bleached oak), HM11 (classic oak), HM12 (cardinal oak), HM20 (wenge classic)

Seat cover always black, prevent upholstery from losing its shape during stacking.

Option - shell with handle in upper part of the backrest (C), enabling moving the chair (no applicable on full upholstered versions).

glides

- standard - teflon glides
- option - felt glides - for hard floors

net weight

- K12H - 5,5 kg
- K12H 2P - 7,5 kg
- K22H - 6 kg
- K22H 2P - 8 kg
- K32H - 6,5 kg
- K32H 2P - 8,5 kg
- K42H - 6 kg
- K42H 2P - 8 kg

gross weight

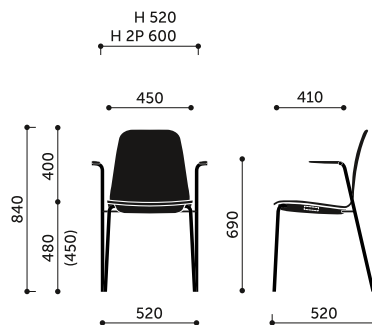
- K12H - 10,5 kg
- K12H 2P - 12,5
- K22 - 11 kg
- K22 2P - 13 kg
- K32H - 11,5 kg
- K32H 2P - 13,5 kg
- K42H - 11 kg
- K42H 2P - 13 kg

stacking

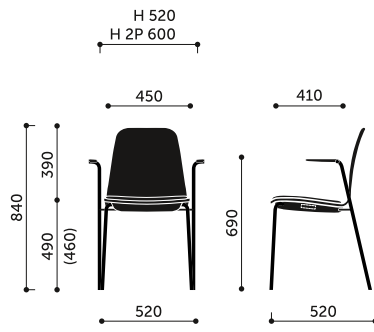
12H (+2P) - 15 pcs

12H 2PB - 5 pcs

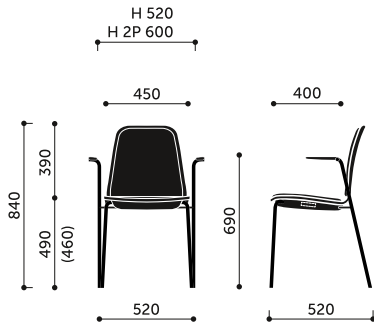
Product dimensions:



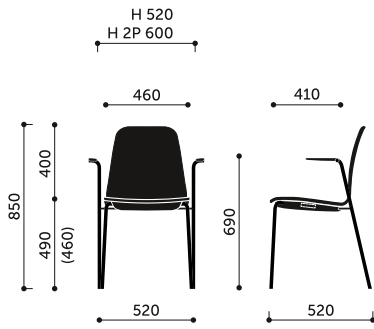
K11H / K12H / K13H
K11H 2P / K12H 2P / K13H 2P



K21H / K22H / K23H
K21H 2P / K22H 2P / K23H 2P

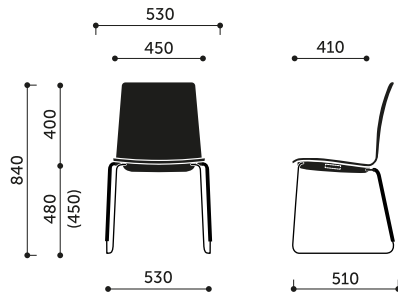


K31H / K32H / K33H
K31H 2P / K32H 2P / K33H 2P

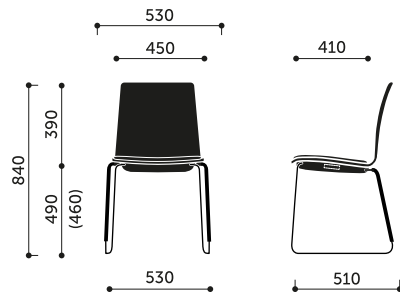


K41H / K42H / K43H
K41H 2P / K42H 2P / K43H 2P

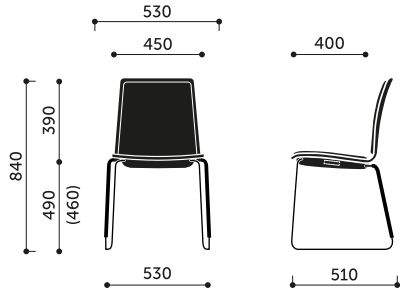
Dimensions of other models in the collection:



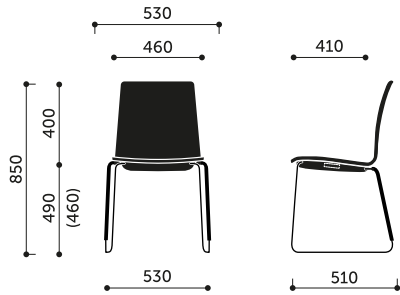
K12V



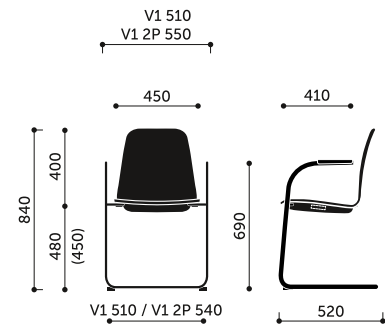
K22V



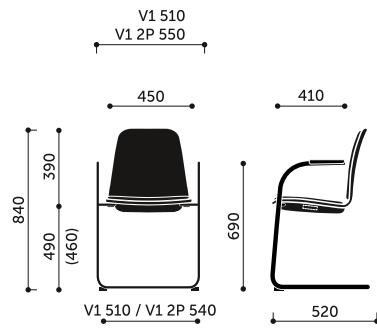
K32V



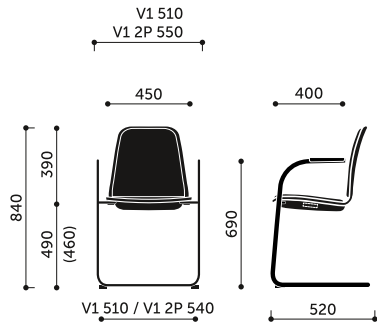
K42V



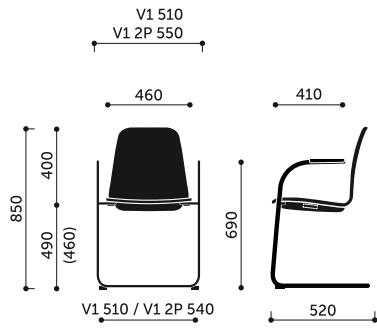
K11V1 / K12V1 / K13V1
K11V1 2P / K12V1 2P / K13V1 2P



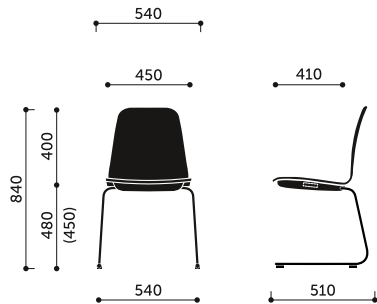
K21V1 / K22V1 / K23V1
K21V1 2P / K22V1 2P / K23V1 2P



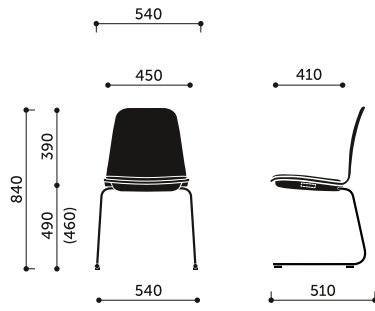
K31V1 / K32V1 / K33V1
K31V1 2P / K32V1 2P / K33V1 2P



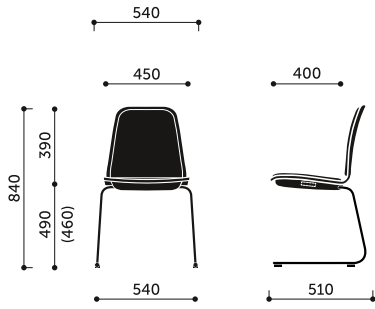
K41V1 / K42V1 / K43V1
K41V1 2P / K42V1 2P / K43V1 2P



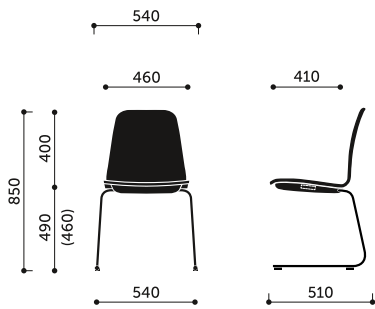
K11V2 / K12V2 / K13V2



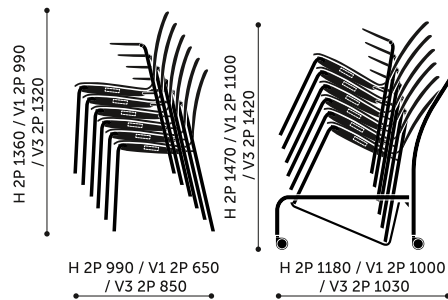
K21V2 / K22V2 / K23V2



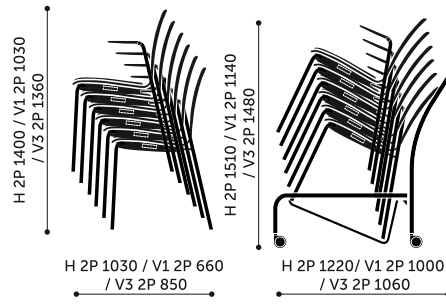
K31V2 / K32V2 / K33V2



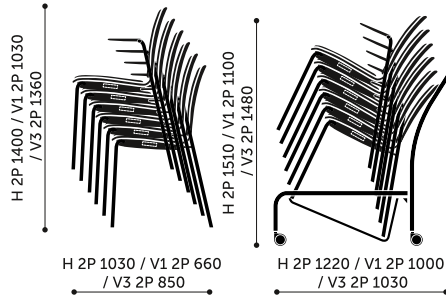
K41V2 / K42V2 / K43V2



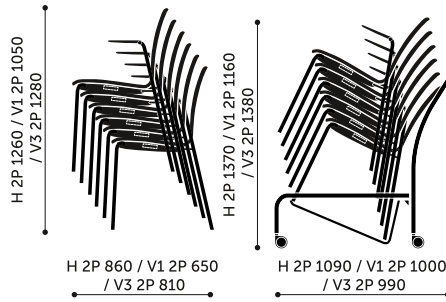
K11 / K12 / K13



K21 / K22 / K23



K31 / K32 / K33



K41 / K42 / K43